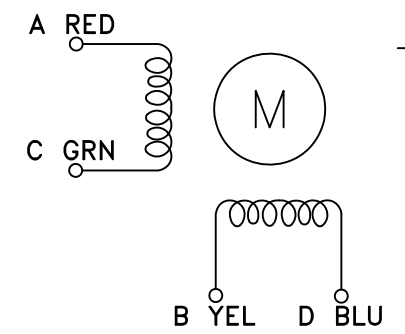


Diagram



Label:

0.9° Stepper Motor
LDO-42STH33-0304MA
120728 LDO MOTORS

Items	Specs	Items	Specs	REV		ECN NO		Description		Make by	Approve	Date
Phase Number	2 phases	Step Angle	0.9° ±5%	B				Wire Length Increase	Danny	J. B.	08.06.12	2.11.13
Rated Voltage	12.0 VDC	Rated Current	DC 0.31 A / Phase	A				New Release	Danny	J. B.	07.28.12	
Resistance(20°C)	38.5±15% Ω / phase	Inductance	21±20% mH / Phase	PRE								
Holding Torque	≥1.3 Kg-cm	Detent Torque	120 g-cm REF.	REV								
Rotate Direction	ABCD CW	MAX Starting PPS	≥3500 PPS					Scale				
MAX slewing PPS	≥2500 PPS	Insulation Resistance	≥100 MΩ (DC 500V)							LDO MOTORS CO.,LTD Hybrid Stepper Motor LDO-42STH33-0304MA		
HI POT	AC600V/1mA/1S	Insulation Class	Class B									
Rotor Inertia	35 g.cm²	Weigth	0.25 Kg REF.	Des.	Check	Appr.	Date	Factory Code		page	1/1	